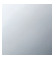
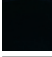



EDITION PRO Rain shower with wall fixing FlowReduce 220 mm - Chrome

28 648 626



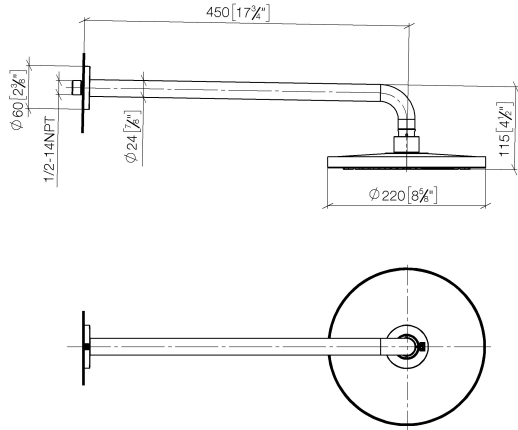
- 450mm projection
- rain flow
- with anti-scale system
- rain shower Ø 220 mm
- rosette Ø 60 mm
- 1/2" connection
- max. flow 7 l/min
- quick clearing
- This product can help a building meet the requirements of Green Building Rating Systems, e.g. LEED®, BREEAM®, DGNB

	Chrome	28 648 626-00
	Matte Black	28 648 626-33
	Brushed Chrome	28 648 626-93

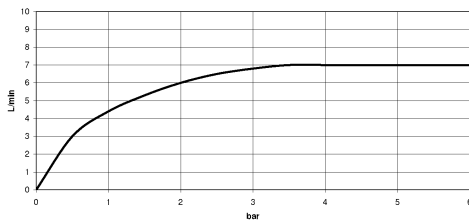
EDITION PRO Rain shower with wall fixing FlowReduce 220 mm - Chrome

28 648 626

mm [inches]



Flow rate chart



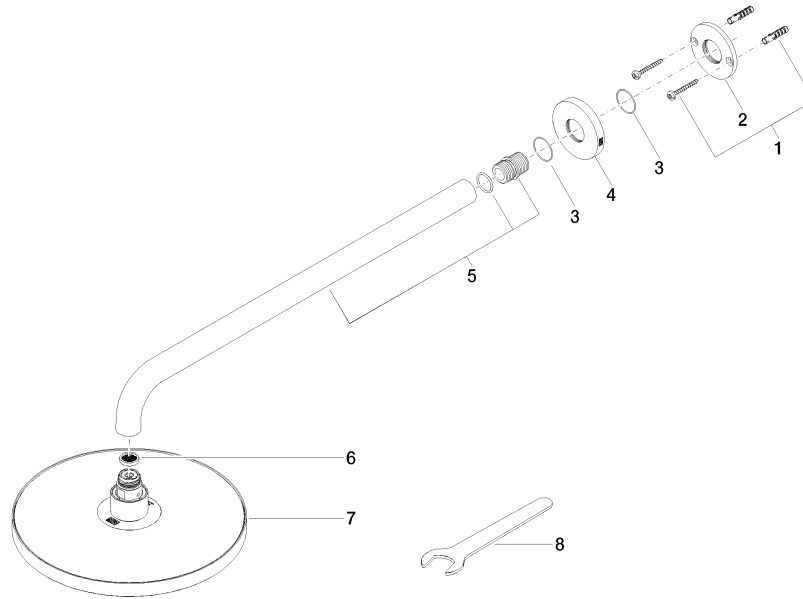
Certificates

LGA_38655.

EDITION PRO Rain shower with wall fixing FlowReduce 220 mm - Chrome

28 648 626

Parts for other finishes can be found here: [Matte Black](#)



Spare parts list

No.	Item Number	Name	Quantity used	Delivery time
1	04 30 31 032 00 90	fixing set	1	2
2	09 17 20 120 90	holder	1	2
3	09 14 10 150 90	seal	2	2
4	09 27 97 015-00	rosette	1	10
5	90 11 03 070 00-00	pipe	1	10
6	09 23 01 075 90	insert	1	2
7	90 12 05 092 20-00	shower	1	10
8	90 30 09 069 00 90	key	1	2